

**RTC TAI WAN ATYCO  
FLUID CONTROL**

# **Resilient Seated Gate Valve**

**For Portable Water and Sewage Water Treatment Industry**



TAI WAN ATYCO FLUID CONTROL EQUIPMENT INTERNATIONAL COMPANY LIMITED

Liaoning Yuanlu Machinery Equipment Manufacturing Co., Ltd.

Address:55 Gongnong Road, Zhanqian District, Yingkou City, Liaoning Province,China

TEL:+008613332319780

FAX:+00860417-3535904

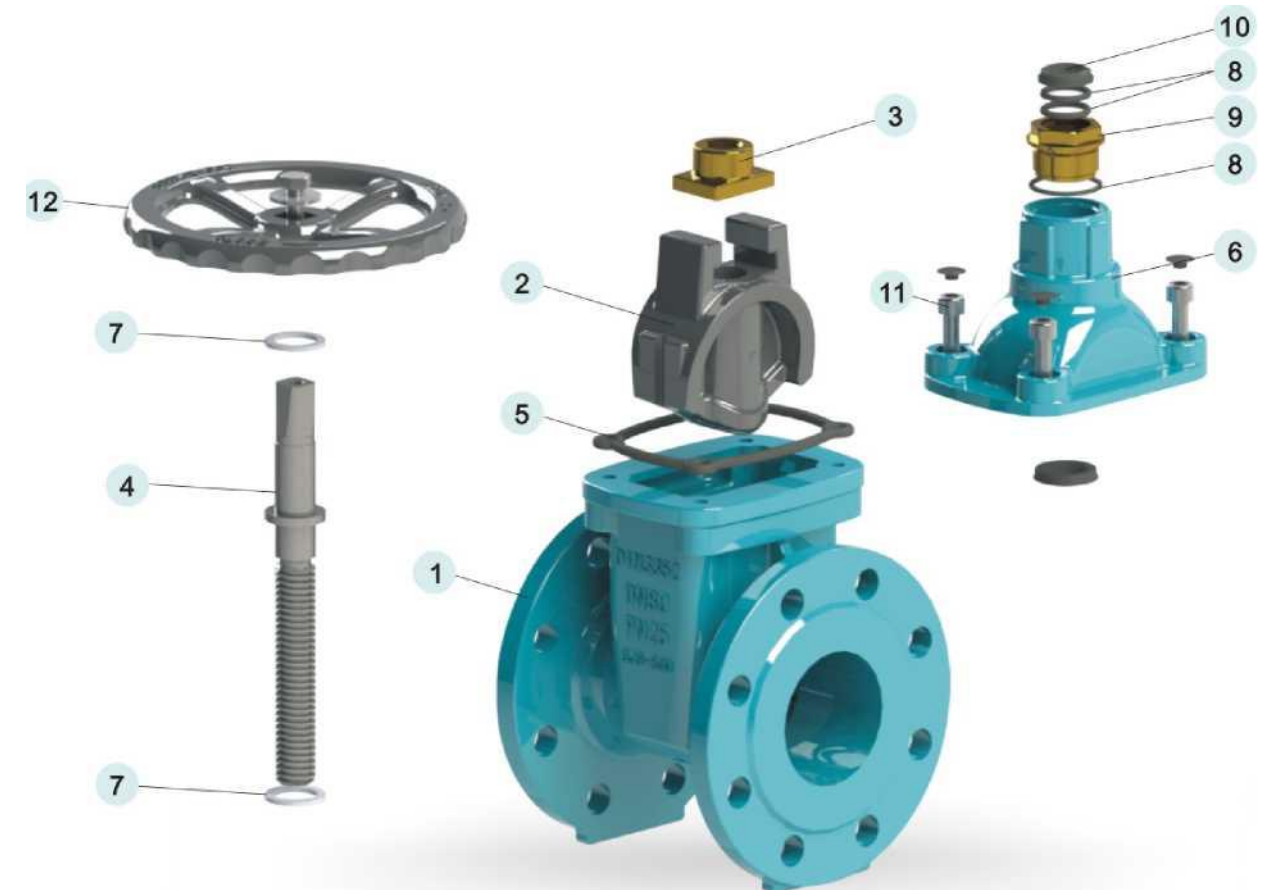
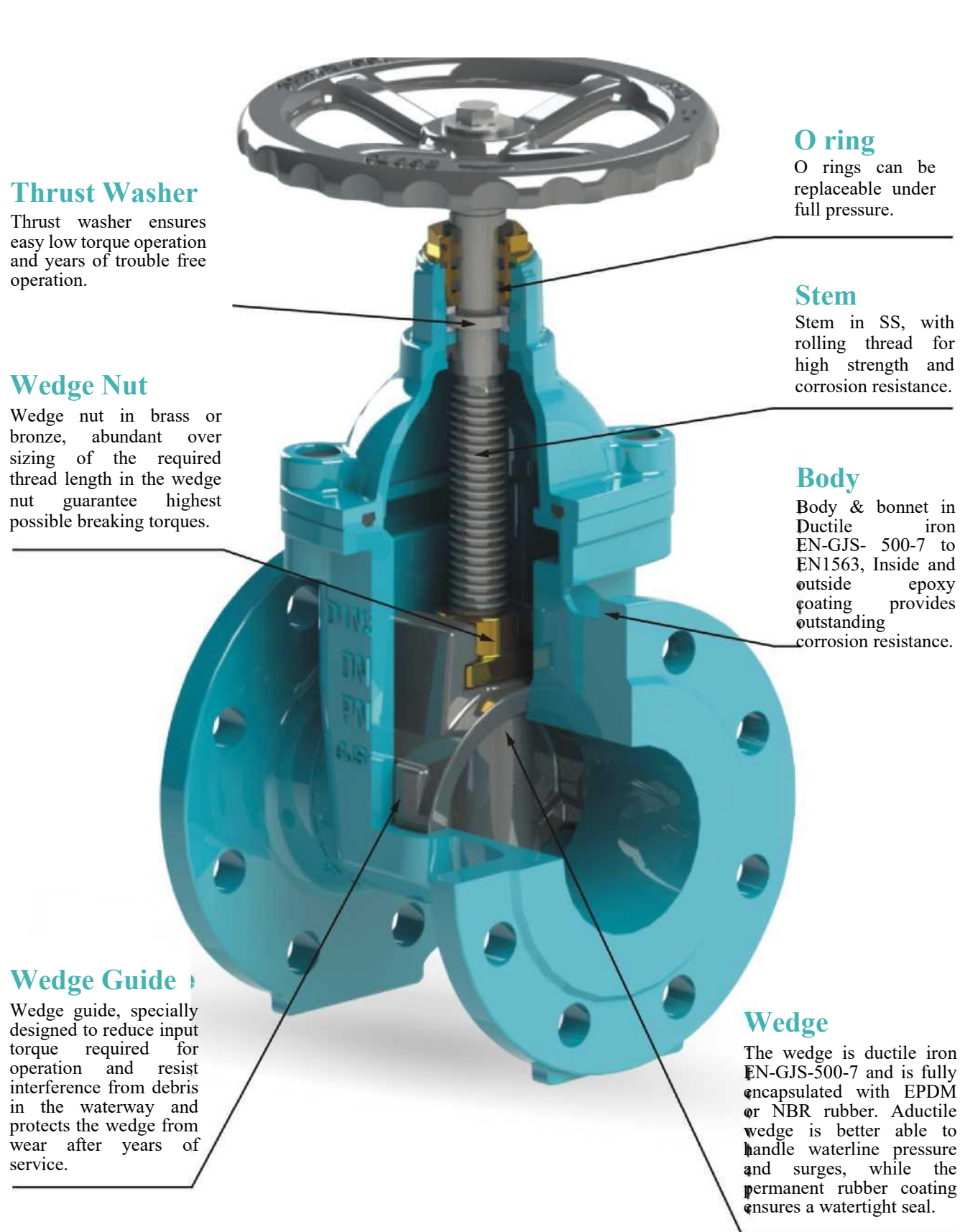
Website:www.atyco.cn

Email:atycoln@163.com

Copyright ©2014.06

# Resilient Seated Gate Valve

# DIN3352 Resilient Seated Gate Valve Parts



Item No.	Component	Material	Grade
1	Body	Ductile Iron	GGG50 (EN-GJS-500-7)
2	Wedge	Ductile Iron+EPDM	GGG50+EPDM
		Ductile Iron+NBR	GGG50+NBR
3	Wedge Nut	Brass	Copper Alloy EN12165
		Bronze	EN1982 CC491K
4	Stem	Stainless Steel	SS420, SS431, SS316, Super Duplex F51
5	Bonnet Gasket	EPDM/NBR	EPDM/NBR
6	Bonnet	Ductile Iron	GGG50 (EN-GJS-500-7)
7	Thrust Washer	PTFE/Nylon	PTFE/Nylon
8	O Ring	EPDM/NBR	EPDM/NBR
9	Stuffing Nut	Brass	Copper alloy EN12165
10	Dust Guard	EPDM/NBR	EPDM/NBR
11	Bonnet Bolts	Galv.steel, Stainless Steel	8.8 Grade Steel, SS304, SS316
12	Hand Wheel	Ductile Iron	GGG50 (EN-GJS-500-7)



# DIN3352 F4 Non-Rising Stem Resilient Seated Gate Valve

# DIN3352 F4 Non-Rising Stem Resilient Seated Gate Valve PN16

Fig. 24714APN16

## ■ Technical Data

- Size: DN50-DN800
- Design: DIN 3352
- Face to Face: DIN 3202 F4
- Flange Drilling: EN 1092-2 PN10/PN16
  - Pressure Rating: PN10/PN16
  - Pressure Testing: ISO 5208
  - Maximum Temperature 80 P

## ■ Material Specification

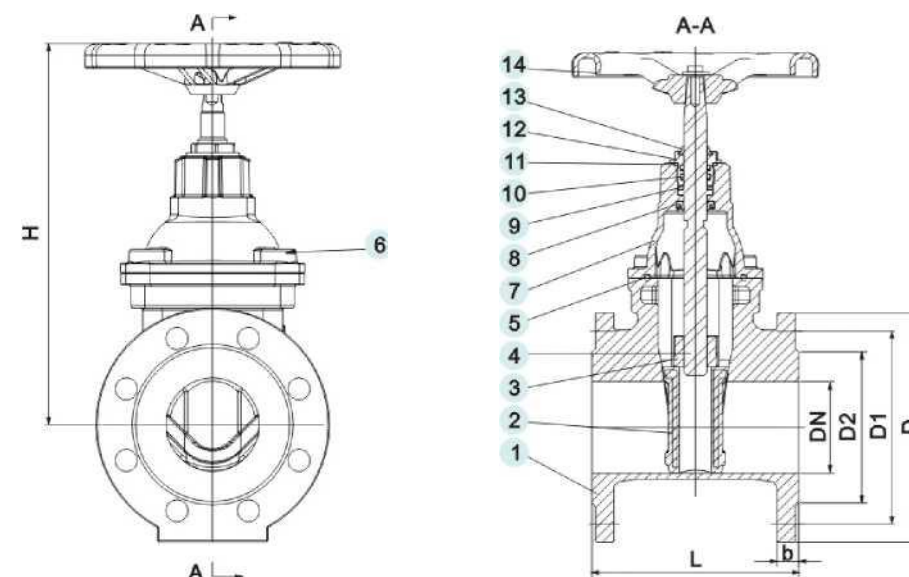
- Body/Bonnet: Ductile iron, GGG50
  - Wedge: Ductile iron GGG50, fully encapsulated in EPDM or NBR
- Stem: Stainless steel SS420/SS431/SS316/F51
- Stem Sealing: EPDM /NBR O rings
  - Stem Nut: Brass/Bronze
  - Bonnet Bolts: Galv. Steel or Stainless steel
  - Bonnet Gasket: EPDM/NBR
  - Hand Wheel: Ductile iron
  - Keycap: Ductile iron

## ■ Features

- An integral stem nut secures wedge spindle fixing and prevents slope and corrosion.
- The complete wedge is fully encapsulated by rubber preventing creep and corrosion.
- Replaceable O ring under pressure
- Low torque operation
- Clockwise closing direction
- Fusion bonded epoxy coating inside and outside

## ■ Options

- Stem cap
- Gearbox
  - Electric actuator
- Extension stem
- ISO Top flange
- Position indicator
- By-pass valve
- Anti-clockwise closing



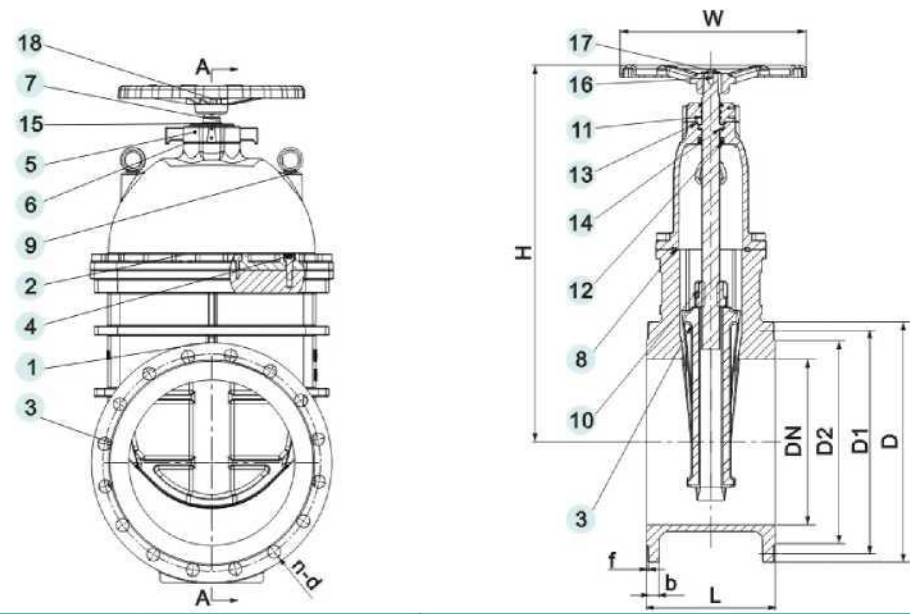
No.	Component	Material
1	Body	Ductile iron GGG50
2	Wedge	Ductile iron+EPDM
		Ductile iron+NBR
3	Wedge Nut	Brass/Bronze
4	Stem	SS420/SS431/SS316/F51
5	Bonnet Gasket	EPDM/NBR
7	Bonnet	Ductile iron GGG50
14	Hand Wheel	Ductile iron GGG50

## ■ Dimensions(mm)

Size	L	D	EN1092-2PN10			EN1092-2PN16			"	"
			D1	D2	N·d1	D1	D2	N·d1		
DN40	140	150	110	84	4-19	110	84	4-19	19	235
DN50	150	165	125	99	4-19	125	99	4-19	19	240
DN65	170	185	145	118	4-19	145	118	4-19	19	250
DN80	180	200	160	132	8-19	160	132	8-19	19	312
DN100	190	220	180	156	8-19	180	156	8-19	19	335
DN125	200	250	210	184	8-19	210	184	8-19	19	385
DN150	210	285	240	211	8-23	240	211	8-23	19	438
DN200	230	340	295	266	8-23	295	266	12-23	20	543
DN250	250	405	350	319	12-23	355	319	12-28	22	645
DN300	270	460	400	370	12-23	410	370	12-28	24.5	728

# DIN3352 F4 Non-Rising Stem Resilient Seated Gate Valve PN16

Fig. 24714C



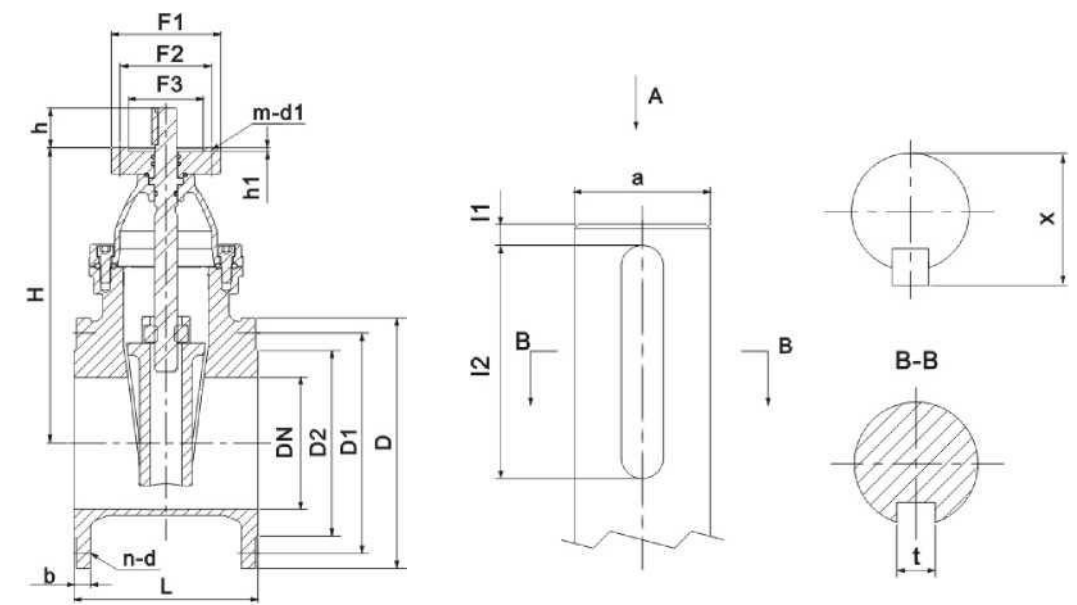
No.	Component	Material
1	Body	Ductile Iron GGG50
2	Bonnet	Ductile Iron GGG50
3	Wedge	Ductile Iron+EPDM
		Ductile Iron+NBR
6	Gland Flange	Ductile Iron GGG50
7	Stem	SS420/SS431/SS316/F51
8	Bonnet Gasket	EPDM/NBR
10	Stem Nut	Brass/Bronze
18	Hand Wheel	Ductile Iron GGG50

## ■ Dimensions(mm)

Size	L	D	EN1092-2PN10			EN1092-2PN16			b	H	W
			D1	D2	N-d1	D1	D2	N-d1			
DN350	290	520	460	429	16-23	470	429	16-28	26.5	812	600
DN400	310	580	515	480	16-28	525	480	16-31	28	923	600
DN450	330	640	565	530	20-28	585	548	20-31	30	974	600
DN500	350	715	620	582	20-28	650	609	20-34	31.5	1073	730
DN600	390	840	725	682	20-31	770	720	20-37	36	1254	730

# DIN3352 F4 Non-Rising Stem Resilient Seated Gate Valve PN16 with ISO Top

Fig. 24714S



## ■ Dimensions(mm)

Size	L	D	EN1092-2 PN10			EN1092-2PN16			b	H	h
			D1	D2	N-d1	D1	D2	N-d1			
DN50	150	165	125	99	4-19	125	99	4-19	19	320	45
DN65	170	185	145	118	4-19	145	118	4-19	19	335	45
DN80	180	200	160	132	8-19	160	132	8-19	19	370	45
DN100	190	220	180	156	8-19	180	156	8-19	19	420	45
DN125	200	250	210	184	8-19	210	184	8-19	19	480	45
DN150	210	285	240	211	8-23	240	211	8-23	19	520	45
DN200	230	340	295	266	8-23	295	266	12-23	20	620	65
DN250	250	400	350	319	12-23	355	319	12-28	22	720	65
DN300	270	455	400	370	12-23	410	370	12-28	24.5	780	65
DN350	290	520	460	429	16-23	470	429	16-28	26.5	820	65
DN400	310	580	515	480	16-28	525	480	16-31	28	950	65
DN450	330	640	565	530	20-28	585	548	20-31	30	1000	65
DN500	350	715	620	582	20-28	650	609	20-34	31.5	1100	65
DN600	390	840	725	682	20-31	770	720	20-37	36	1235	65

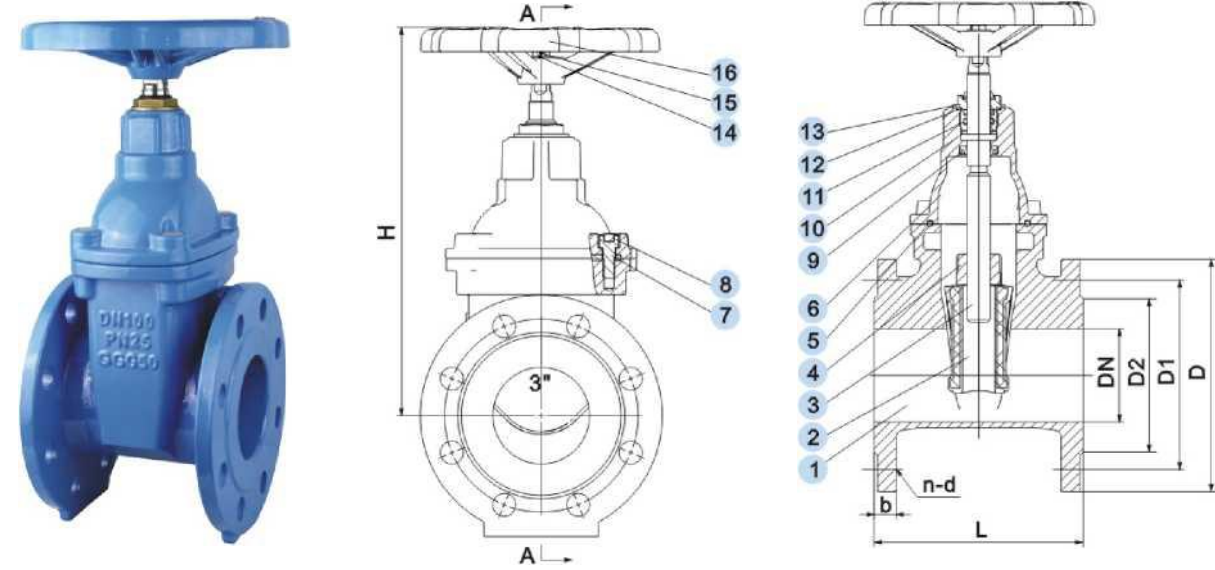
  

Size	Top Flange	F1	F2	F3	hi	n-d1	a	I1	I2	t	X
DN65	F10	125	102	70	3.5	4-12	20	5	36	6	21.5
DN80	F10	125	102	70	3.5	4-12	20	5	36	6	21.5
DN100	F10	125	102	70	3.5	4-12	20	5	36	6	21.5
DN125	F10	125	102	70	3.5	4-12	20	5	36	6	21.5
DN150	F10	125	102	70	3.5	4-12	20	5	36	6	21.5
DN200	F14	175	140	100	4.5	4-18	30	5	55	8	32
DN250	F14	175	140	100	4.5	4-18	30	5	55	8	32
DN300	F14	175	140	100	4.5	4-18	30	5	55	8	32
DN350	F14	175	140	100	4.5	4-18	30	5	60	8	32
DN400	F14	175	140	100	4.5	4-18	30	5	60	8	32
DN450	F14	175	140	100	4.5	4-18	30	5	60	8	32
DN500	F14	175	140	100	4.5	4-18	30	5	60	8	32
DN600	F14	175	140	100	4.5	4-18	30	5	60	8	32



# DIN3352 F4 Non-Rising Stem Resilient Seated Gate Valve PN25

Fig. 24714A PN25



## ■ Technical Data

- Size: DN40-DN300
- Design: DIN 3352
- Face to Face: DIN 3202 F4
- Flange Drilling: EN 1092-2 PN25
- Pressure Rating: PN25
- Pressure Testing: ISO 5208

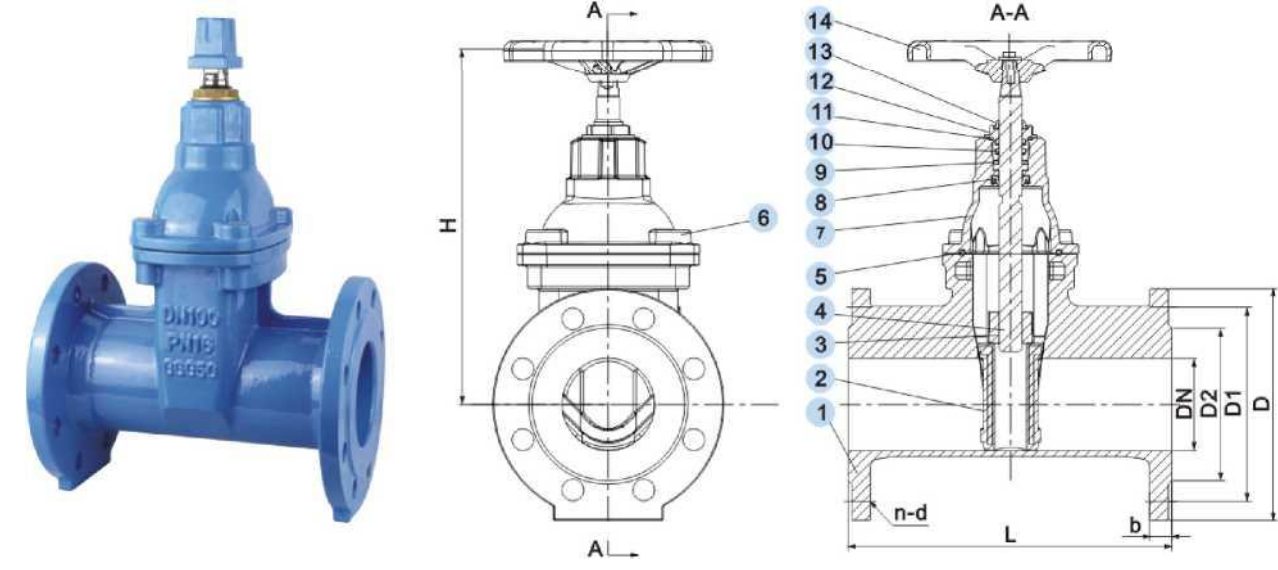
No.	Component	Material
1	Body	Ductile Iron GGG50
2	Wedge	Ductile Iron+EPDM
		Ductile Iron +NBR
3	Stem	SS420/SS431/SS316/F51
4	Wedge Nut	Brass/Bronze
5	Bonnet Gasket	EPDM/NBR
6	Bonnet	Ductile Iron GGG50
11	O Ring	EPDM/NBR
16	Hand Wheel	Ductile Iron GGG50

## ■ Dimensions(mm)

Size	L	D	EN1092-2 PN25			b	H
			D1	D2	N-d1		
40	140	150	110	84	4-19	19	235
50	150	165	125	99	4-19	19	240
65	170	185	145	118	8-19	19	250
80	180	200	160	132	8-19	19	312
100	190	235	190	156	8-23	19	335
125	200	270	220	184	8-28	19	385
150	210	300	250	211	8-28	20	438
200	230	360	310	274	12-28	22	543
250	250	425	370	330	12-31	24.5	645
300	270	485	430	389	16-31	27.5	728

# DIN3352 F5 Non-Rising Stem Resilient Seated Gate Valve PN16

Fig. 24715APN16



## ■ Technical Data

- Size: DN40-DN600
- Design: DIN 3352
- Face to Face: DIN 3202 F5
- Flange Drilling: EN 1092-2 PN10/PN16
- Pressure Rating: PN10/PN16
- Pressure Testing: ISO 5208

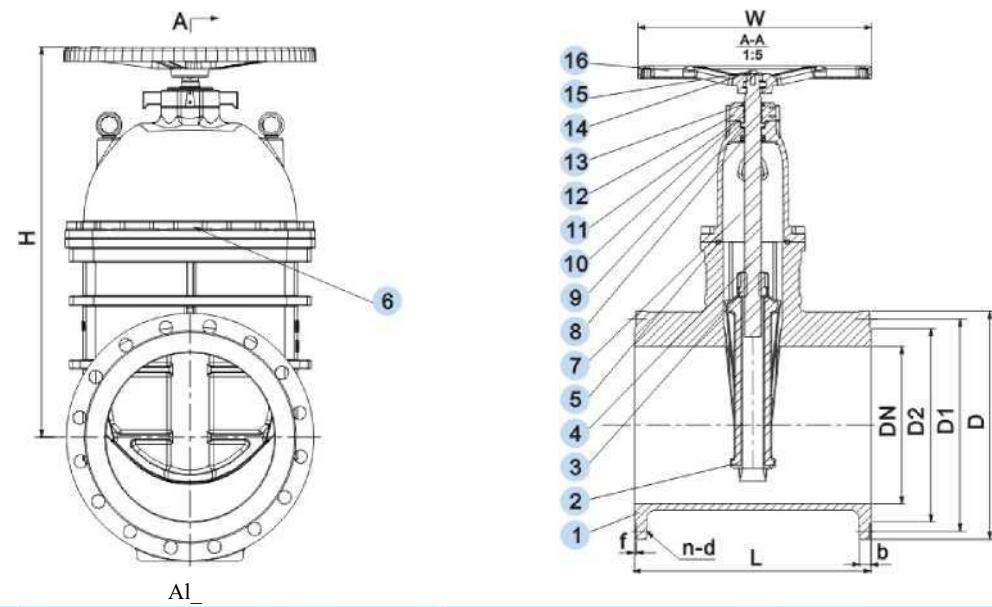
No.	Component	Material
1	Body	Ductile Iron GGG50
2	Wedge	Ductile Iron+EPDM
		Ductile Iron+NBR
3	Stem Nut	Brass/Bronze
4	Stem	SS420/SS431/SS316/F51
5	Bonnet Gasket	EPDM/NBR
7	Bonnet	Ductile Iron GGG50
12	O Ring	NBR/EPDM
14	Hand Wheel	Ductile Iron GGG50

## ■ Dimensions(mm)

Size	L	D	EN1092-2 PN10			EN1092-2 PN16			b	H
			D1	D2	N-d1	D1	D2	N-d1		
DN40	240	150	110	84	4-19	110	84	4-19	19	235
DN50	250	165	125	99	4-19	125	99	4-19	19	240
DN65	270	185	145	118	4-19	145	118	4-19	19	250
DN80	280	200	160	132	8-19	160	132	8-19	19	312
DN100	300	220	180	156	8-19	180	156	8-19	19	335
DN125	325	250	210	184	8-19	210	184	8-19	19	385
DN150	350	285	240	211	8-23	240	211	8-23	19	438
DN200	400	340	295	266	8-23	295	266	12-23	20	543
DN250	450	405	350	319	12-23	355	319	12-28	22	645
DN300	500	460	400	370	12-23	410	370	12-28	24.5	728

# DIN3352 F5 Non-Rising Stem Resilient Seated Gate Valve PN16

Fig. 24715C



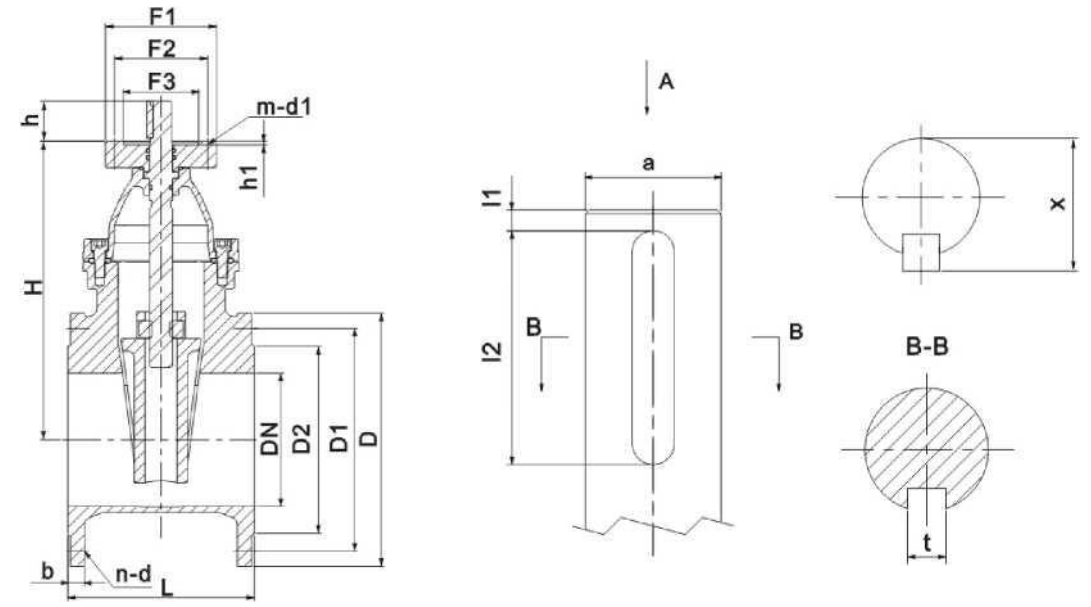
No.	Component	Material
1	Body	Ductile Iron GGG50
2	Wedge	Ductile Iron+EPDM
		Ductile Iron+NBR
3	Stem Nut	Brass/Bronze
4	Stem	SS420/SS431/SS316/F51
5	Bonnet Gasket	EPDM/NBR
7	Bonnet	Ductile Iron GGG50
12	Gland Flange	Ductile Iron GGG50
16	Hand Wheel	Ductile Iron GGG50

## ■ Dimensions(mm)

Size	L	D	EN1092-2PN10			EN1092-2PN16			b	H	W
			D1	D2	N-d1	D1	D2	N-d1			
DN350	550	520	460	429	16-23	470	429	16-28	26.5	812	600
DN400	600	580	515	480	16-28	525	480	16-31	28	923	600
DN450	650	640	565	530	20-28	585	548	20-31	30	974	600
DN500	700	715	620	582	20-28	650	609	20-34	31.5	1073	730
DN600	800	840	725	682	20-31	770	720	20-37	36	1254	730

# DIN3352 F5 Non-Rising Stem Resilient Seated Gate Valve PN16 with ISO Top

Fig. 24715S



## —Dimensions(mm)

Size	L	D	EN1092-2 PN10			EN1092-2PN16			b	H	h
			D1	D2	N-d1	D1	D2	N-d1			
DN50	250	165	125	99	4-19	125	99	4-19	19	320	45
DN65	270	185	145	118	4-19	145	118	4-19	19	335	45
DN80	280	200	160	132	8-19	160	132	8-19	19	370	45
DN100	300	220	180	156	8-19	180	156	8-19	19	420	45
DN125	325	250	210	184	8-19	210	184	8-19	19	480	45
DN150	350	285	240	211	8-23	240	211	8-23	19	520	45
DN200	400	340	295	266	8-23	295	266	12-23	20	620	65
DN250	450	400	350	319	12-23	355	319	12-28	22	720	65
DN300	500	455	400	370	12-23	410	370	12-28	24.5	780	65
DN350	550	520	460	429	16-23	470	429	16-28	26.5	820	65
DN400	600	580	515	480	16-28	525	480	16-31	28	950	65
DN450	650	640	565	530	20-28	585	548	20-31	30	1000	65
DN500	700	715	620	582	20-28	650	609	20-34	31.5	1100	65
DN600	800	840	725	682	20-31	770	720	20-37	36	1235	65

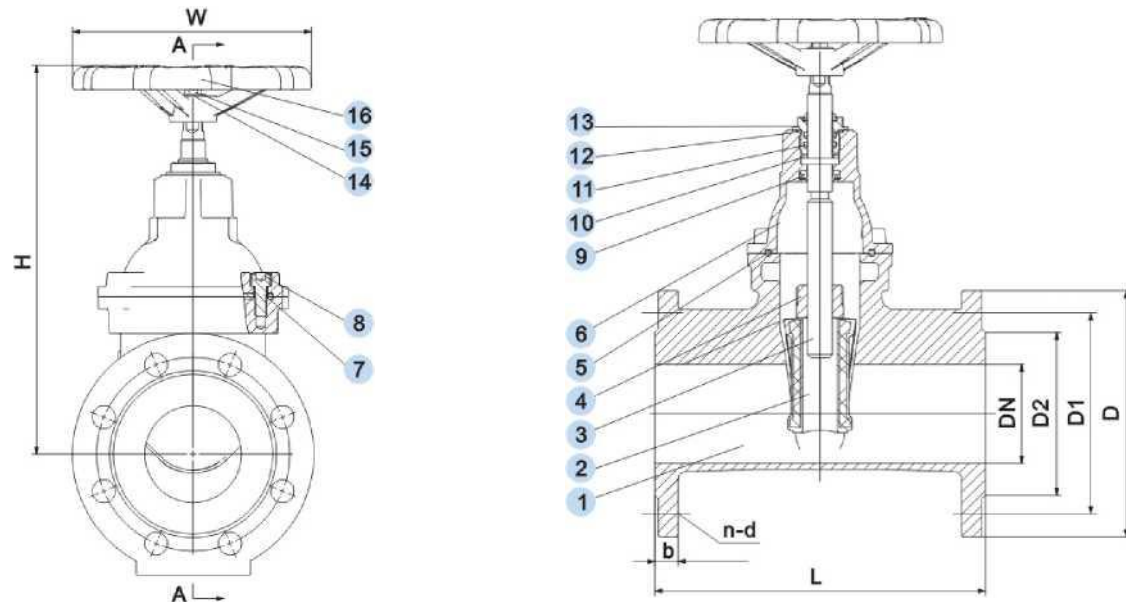
  

Size	Top Flange	F1	F2	F3	hi	n-d1	a	I1	I2	t	X
DN65	F10	125	102	70	3.5	4-12	20	5	36	6	21.5
DN80	F10	125	102	70	3.5	4-12	20	5	36	6	21.5
DN100	F10	125	102	70	3.5	4-12	20	5	36	6	21.5
DN125	F10	125	102	70	3.5	4-12	20	5	36	6	21.5
DN150	F10	125	102	70	3.5	4-12	20	5	36	6	21.5
DN200	F14	175	140	100	4.5	4-18	30	5	55	8	32
DN250	F14	175	140	100	4.5	4-18	30	5	55	8	32
DN300	F14	175	140	100	4.5	4-18	30	5	55	8	32
DN350	F14	175	140	100	4.5	4-18	30	5	60	8	32
DN400	F14	175	140	100	4.5	4-18	30	5	60	8	32
DN450	F14	175	140	100	4.5	4-18	30	5	60	8	32
DN500	F14	175	140	100	4.5	4-18	30	5	60	8	32
DN600	F14	175	140	100	4.5	4-18	30	5	60	8	32



# DIN3352 F5 Non-Rising Stem Resilient Seated Gate Valve PN25

Fig. 24715A PN25



## ■ Technical Data

- Size: DN40-DN300
- Design: DIN 3352
- Face to Face: DIN 3202 F5
- Flange Drilling: EN 1092-2 PN25
- Pressure Rating: PN25
- Pressure Testing: ISO 5208

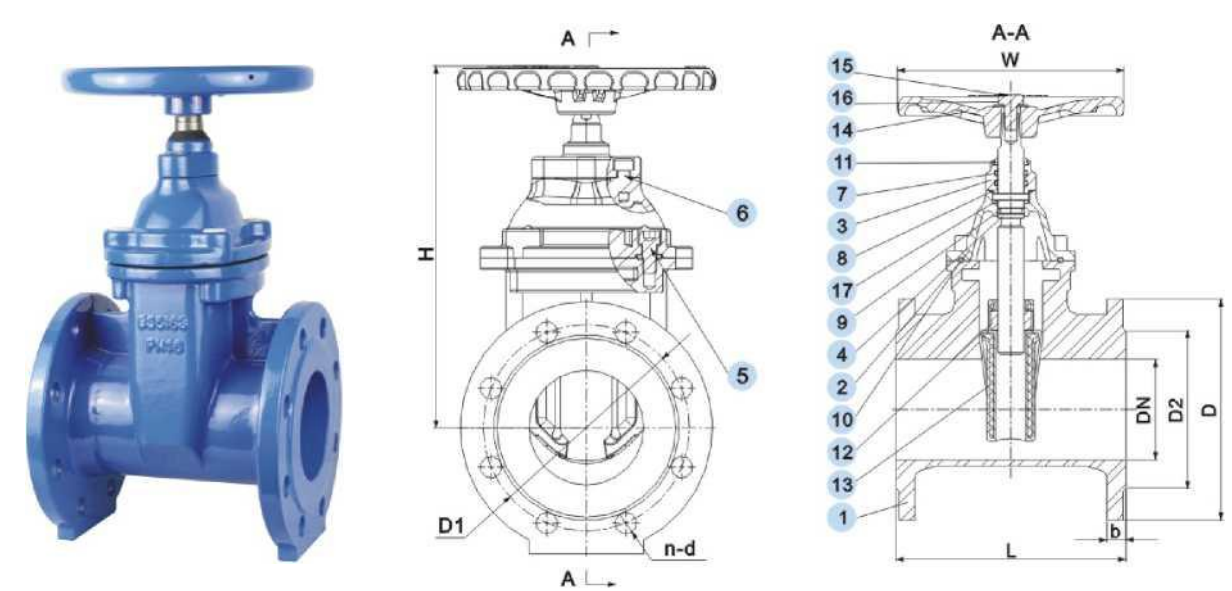
Component	Material
1	Body Ductile Iron GGG50
2	Wedge Ductile Iron+EPDM Ductile Iron+NBR
3	Stem SS420/SS431/SS316/F51
4	Wedge Nut Brass/Bronze
5	Bonnet Gasket EPDM/NBR
6	Bonnet Ductile Iron GGG50
11	O Ring: EPDM/NBR
16	Hand Wheel Ductile Iron GGG50

## ■ Dimensions(mm)

Size	L	D	EN1092-2PN25				H
			D1	D2	n-d	"	
DN40	240	150	110	84	4-19	19	235
DN50	250	165	125	99	4-19	19	240
DN65	270	185	145	118	8-19	19	250
DN80	280	200	160	132	8-19	19	312
DN100	300	235	190	156	8-23	19	335
DN125	325	270	220	184	8-28	19	385
DN150	350	300	250	211	8-28	20	438
DN200	400	360	310	274	12-28	22	543
DN250	450	425	370	330	12-31	24.5	645
DN300	500	485	430	389	16-31	27.5	728

# BS5163 Non Rising Stem Resilient Seated Gate Valve PN16

Fig.22712B



## ■ Technical Data

- Size: DN50-DN300
- Design: BS5163
- Face to Face: BS5163
- Flange Drilling: EN 1092-2 PN16
- Pressure Rating: PN16
- Pressure Testing: ISO 5208

Component	Material
1	Body Ductile Iron GGG50
2	Bonnet Ductile Iron GGG50
4	Stem SS420/SS431/SS316
10	Bonnet Gasket EPDM/NBR
12	Wedge Nut Brass/Bronze
13	Wedge Ductile Iron+EPDM Ductile Iron+NBR
14	Hand Wheel Ductile Iron GGG50

## ■ Dimensions(mm)

Size	L	D	EN1092-2 PN16				b	H	W
			D1	D2	n-d	"			
DN50	178	165	125	99	4-19	19	250	180	
DN65	190	185	145	118	4-19	19	265	180	
DN80	203	200	160	132	8-19	19	300	200	
DN100	229	220	180	156	8-19	19	350	200	
DN125	254	250	210	184	8-19	19	410	280	
DN150	267	285	240	211	8-23	19	450	280	
DN200	292	340	295	266	12-23	20	550	320	
DN250	330	405	355	319	12-28	22	650	320	
DN300	356	460	410	370	12-28	24.5	710	450	

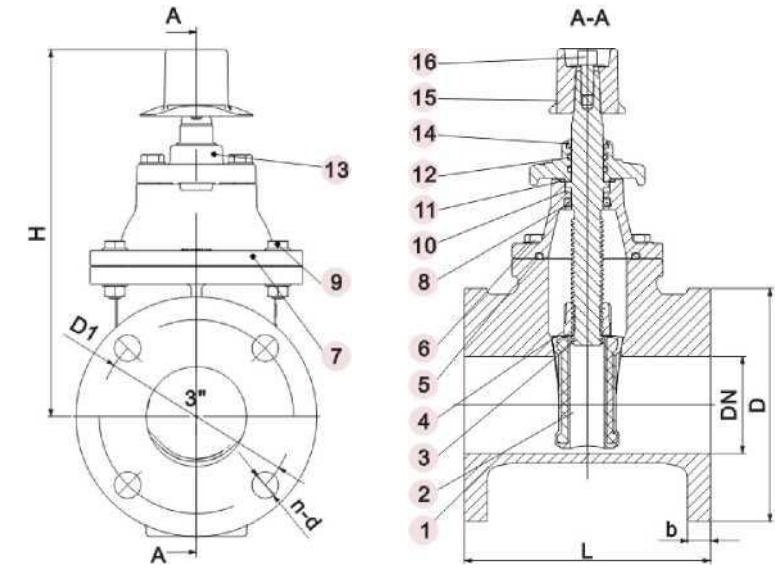
# AWWA/ANSI 250Psi Non-Rising Stem Resilient Seated Gate Valve

# AWWA /ANSI 250Psi Non-Rising Stem Resilient Seated Gate Valve, Flanged connection

Fig. 23713B-FF



No.	Qty	Component	Material
1	1	Body	Ductile Iron ASTMA536
2	1	Wedge	Ductile Iron+EPDM
	1		Ductile Iron +NBR
3	1	Stem	Stainless Steel
4	1	Stem Nut	Tin Bronze
5	1	Bonnet Gasket	ASTM D2000 EPDM /NBR
6	1	Bonnets Bolts	Stainless Steel
7	1	Bonnet	Ductile Iron ASTMA536
8	3	Stem O Ring	ASTM D2000 EPDM /NBR
9	1	Gland	Ductile Iron ASTMA536
10	1	Dust Cap	ASTM D2000 EPDM /NBR
11	1	Operating Cap	Ductile Iron ASTMA536
12	1	Cap Bolt	Stainless Steel
13	2	Thrust Washers	PTFE/Nylon
14	1	V Ring	ASTM D2000 EPDM /NBR



### ■ Technical Data

- Size:2"-16"
- Design: AWWAC515
- Face to Face: ANSI B16.10
- Flange Drilling: ANSI B16.1 CLASS125
- Pressure Rating: 250PSI
- Pressure Testing: AWWAC515

No.	Component	Material
1	Body	ASTMA536
2	Wedge	Ductile Iron+EPDM
		Ductile Iron+NBR
3	Stem	ASTM SS420/SS304/ SS316/SS431
4	Stem Nut	Brass/Bronze
5	Bonnet Gasket	ASTM D2000EPDM
8	Bonnet	ASTMA536
12	O Ring	ASTM D2000 EPDM
13	Gland	ASTMA536

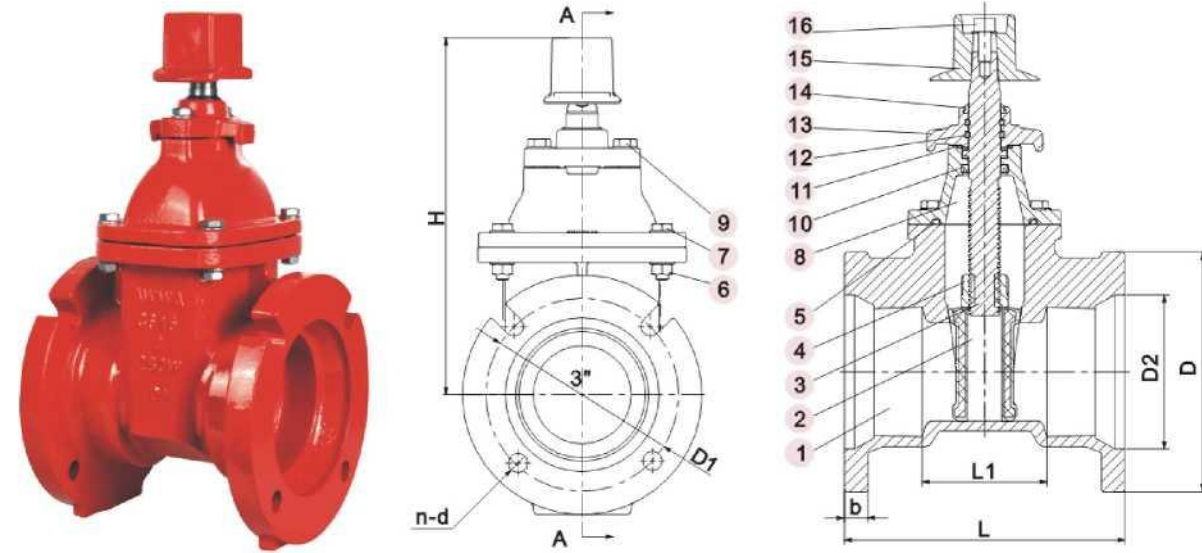
### ■ Dimensions(mm)

Inch	L	D	ANSI B16.1 CLASS125		b	H
			D1	n-d		
2 <sup>w</sup>	178	152	120.7	4-19	15.8	285
2 1/2"	191	178	139.7	4-19	17.5	310
3"	203	191	152.4	4-19	19	330
4"	229	229	190.5	8-19	23.9	374
5"	254	254	215.9	8-22	23.9	440
6"	267	279	241.3	8-22	25.4	471
8"	292	343	298.5	8-22	28.5	559
10"	330	406	362	12-25	30.2	644
12"	356	483	431.8	12-25	31.8	730
14"	381	533	476.3	12-29	35	910
16"	406	597	539.8	16-29	36.6	1020



# AWWA/ANSI 250Psi Non-Rising Stem Resilient Seated Gate Valve, Mechanical connection

Fig.23713B-MM



## ■ Technical Data

- Size: 3"-2"
- Design: AWWAC515
- Face to Face: ANSI B16.10
- Flange Drilling: ANSI B16.1 CLASS125
- Pressure Rating: 250PSI
- Pressure Testing: AWWAC515

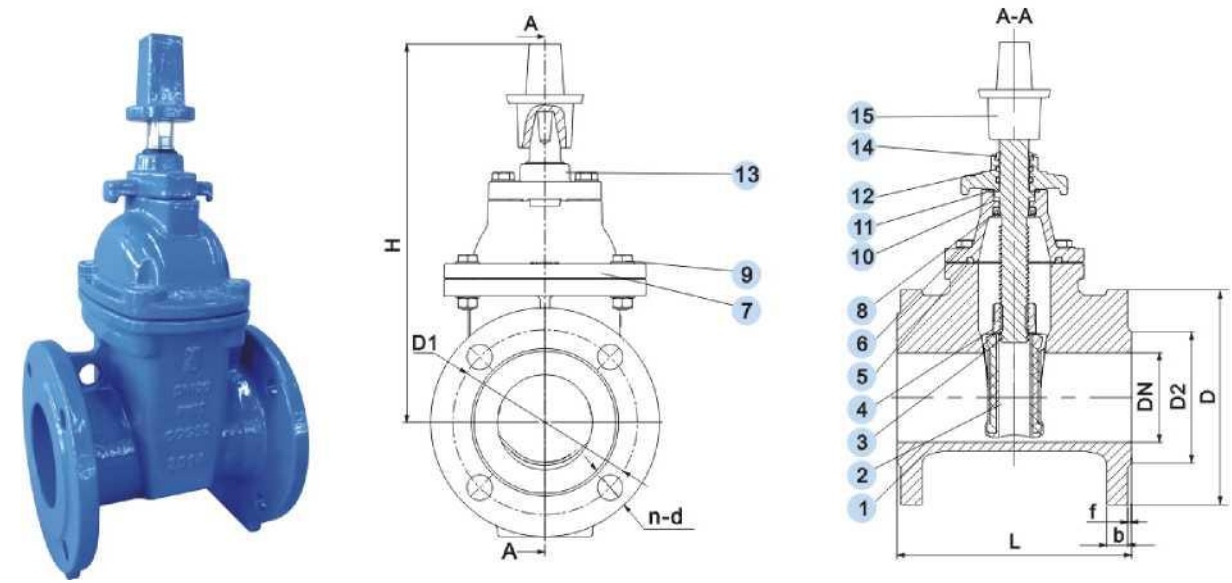
Component	Material
1	Body ASTMA536
2	Wedge Ductile Iron+EPDM Ductile Iron +NBR
3	Stem ASTM SS420/ SS304/SS316/SS431
4	Stem Nut Brass/Bronze
5	Bonnet Gasket ASTM D2000 EPDM
8	Bonnet ASTMA536
12	O Ring ASTM D2000 EPDM
13	Gland ASTMA536

## ■ Dimensions(mm)

Inch	L	D	ANSIB16.1 CLASS125		b	H
			D1	n-d		
3"	203	195.33	157.23	4-16	23.88	292
4"	229	213.65	190.5	4-19	25.4	320
6"	267	282.45	241.3	6-19	26.92	445
8"	292	339.6	298.45	6-19	28.45	533
10"	330	398.53	355.6	8-19	30.23	600
12"	356	455.68	412.24	8-19	31.24	686

# CNS-12795 Non-Rising Stem Resilient Seated Gate Valve

Fig. 20710



## ■ Technical Data

- Size: DN50-DN350
- Design: CNS-12795
- Face to Face: CNS-12795 Table 2-II
- Flange Drilling: CNS-12795 Table 2-II
- Pressure Rating: 10kgf/cm<sup>2</sup>
- Torque Testing: CNS-12795
- Pressure Testing: CNS-12795

Component	Material
1	Body Ductile Iron FCD500-7
2	Wedge Ductile Iron+EPDM Ductile Iron+NBR
3	Stem Stainless Steel
4	Stem Nut Bronze BC6
5	Bonnet Gasket EPDM/NBR
7	Bonnet Ductile Iron FCD500-7
12	O Ring EPDM/NBR
13	Gland Ductile Iron FCD500-7

## Dimensions(mm)

Size	L	D	D1	D2	n	Gi	b	f	H
DN50	180	155	120	100	4	19	16	2	296
DN75	240	185	150	130	8	19	18	2	394.8
DN100	250	210	175	155	8	19	18	2	446.8
DN150	280	280	240	215	8	23	22	2	494.5
DN200	300	330	290	265	12	23	22	2	580.3
DN250	380	400	355	325	12	25	24	2	665
DN300	400	445	400	370	16	25	24	3	746
DN350	430	490	445	415	16	25	26	3	1100

# AS2638.2 Non Rising Stem Resilient Seated Gate Valve

# AS2638.2 Non Rising Stem Resilient Seated Gate Valve PN16

Fig. 21711B



## ■ Technical Data

- Size: DN50-DN600
- Face to Face: AS2638.2-2011
- Flange Drilling: AS4087 Figure B5
- Pressure Testing: AS2638.2-2011
- Coating: AS4020 Approved

## ■ Material Specification

- Body/Bonnet: Ductile iron, 500-7 to AS1831
- Wedge: Ductile iron, 500-7 to AS1831, fully encapsulated in EPDM or NBR
- Stem: Stainless steel  
Stem Sealing: NBR O rings
- Stem Nut: Alu.bronze C95210
- Bonnet Bolts: DN50-DN300 Stainless steel SS316 , sealed with hot melt; DN350-DN600, Grade 8.8 steel, sealed with hot melt.
- Bonnet Gasket: EPDM rubber
- Hand Wheel: Ductile iron 500-7
- Keycap: Ductile iron 500-7

## ■ Features

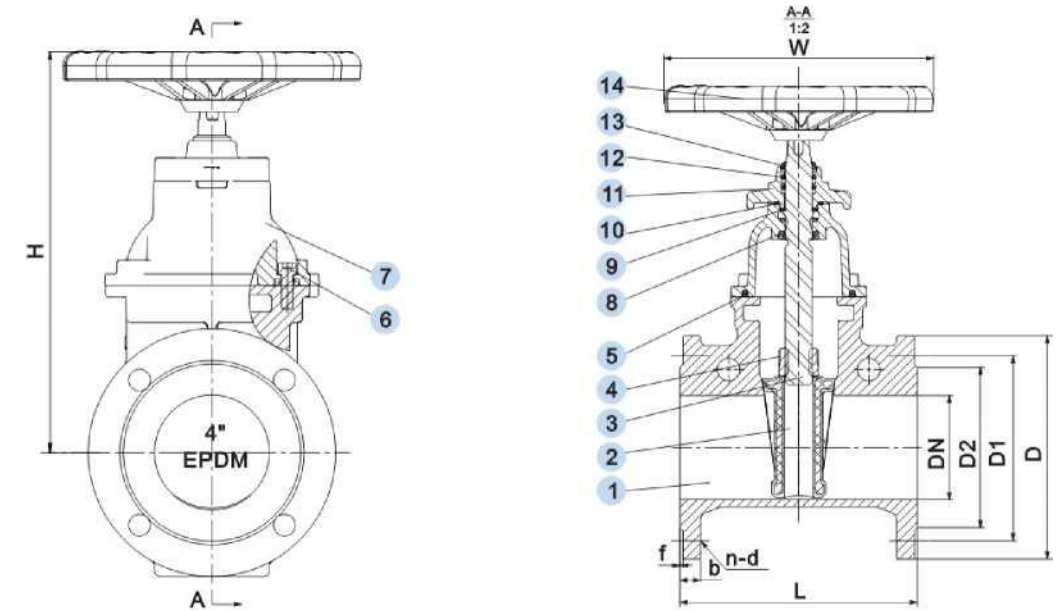
- Material length and tests to AS2638.2 DN350-DN600 can be fitted with ISO mount pad.
- Low torque conforming to AS2638.2
- Stem sealing exchangeable under pressure

## ■ Options

- Hand wheel, Keycap , Gear box & ISO top flange operation available
- Flange gaskets/O rings kits
- Anti-clockwise closing directions
- User specified flange drilling

## ■ Applications

- Water and waste water,
- Food and Beverage systems
- Irrigation, mining, pumping, Industrial processing and general industries.



No.	Component	Material	Grade
1	Body	Ductile Iron,500-7	AS1831
2	Wedge	Ductile Iron+EPDM/NBR	AS1831 AS1646
3	Stem	SS431	ASTMA276
4	Wedge Nut	Alu.bronze C95210	AS1565
5	Bonnet Gasket	EPDM	AS1646
7	Bonnet	Ductile Iron, 500-7	AS1831
14	Hand Wheel	Ductile Iron, 500-7	AS1831

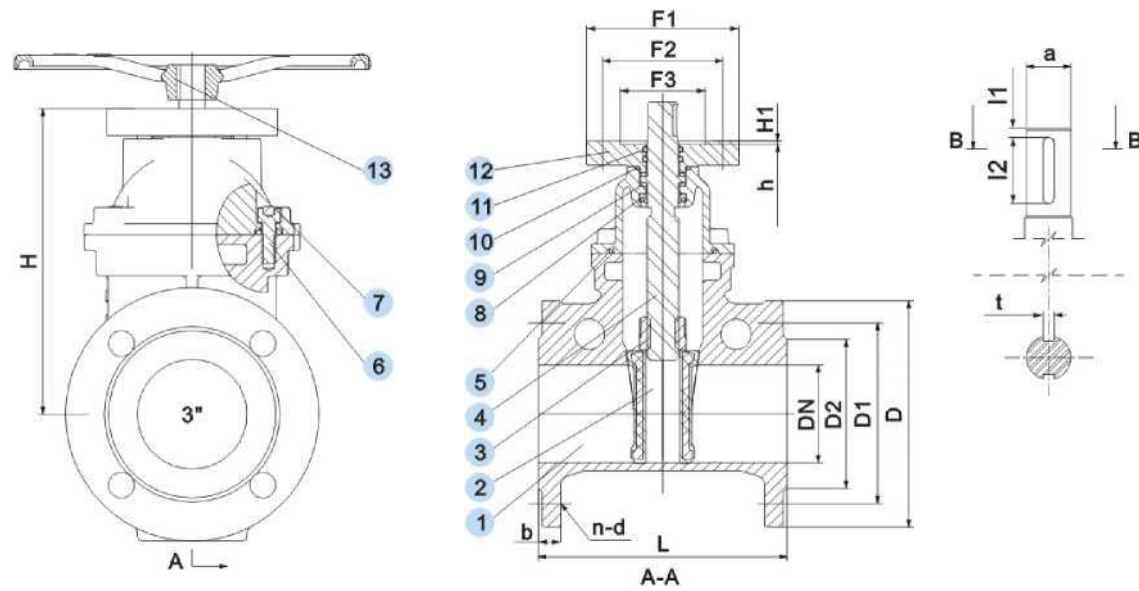
## ■ Dimensions(mm)

Size	L	D	D1	D2	b	f	n-d	H	W
DN50	178	150	114	90	18	3	4-18	270	180
DN65	190	165	127	103	18	3	4-18	280	180
DN80	203	185	146	122	18	3	4-18	290	200
DN100	229	215	178	154	20	3	4-18	315	200
DN150	267	280	235	211	23	3	8-18	410	280
DN200	292	335	292	268	23	3	8-18	515	320
DN225	305	370	324	300	24	3	8-18	560	320
DN250	330	405	356	328	24	3	8-22	605	320
DN300	356	455	406	378	30	4	12-22	695	450
DN350	381	525	470	438	33	4	12-26	790	450
DN375	381	550	495	463	33	4	12-26	880	450
DN400	406	580	521	489	33	4	12-26	970	560
DN450	432	640	584	552	33	4	12-26	1045	560
DN500	457	705	641	609	35	4	16-26	1120	800
DN600	508	825	756	720	42	5	16-30	1320	800



# AS2638.2 Non-Rising Stem Resilient Seated Gate Valve PN16 with ISO Top

Fig.21711S



No.	Component	Material	Grade
1	Body	Ductile Iron,500-7	AS1831
2	Wedge	Ductile Iron+EPDM/NBR	AS1831 AS1646
3	Stem Nut	Alu.bronze C95210	AS1565
4	Stem	SS431	ASTM A276
5	Bonnet Gasket	EPDM	AS1646
6	Bolt	8.8 grade steel	ASTMA276
7	Bonnet	Ductile Iron, 500-7	AS1831
10	ORing	NBR	AS1646
12	Top Flange	Ductile Iron, 500-7	AS1831

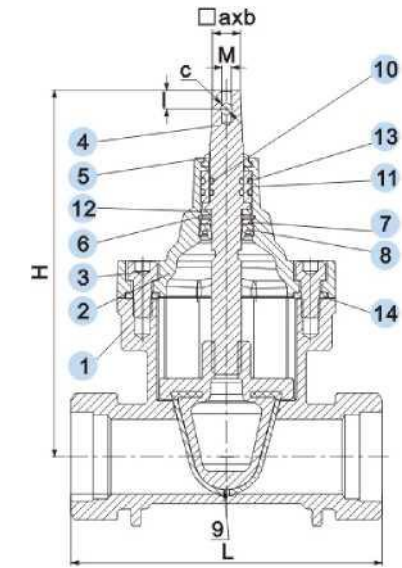
## ■ Dimensions(mm)

Size	L	D	D1	D2	b	n-d	H	H1	t
DN350	381	525	470	438	33	12-26	718	80	12
DN375	381	550	495	463	33	12-26	818	80	12
DN400	406	580	521	489	33	12-26	818	80	12
DN450	432	640	584	552	33	12-26	890	80	12
DN500	457	705	641	609	35	16-26	970	110	14
DN600	508	825	756	720	42	16-30	1144	110	14
Size	Top flange	F1	F2	F3	h	m-d1	a	I1	I2
DN350	F16	175	140	100	4.5	4-18	42	5	70
DN375	F16	210	165	130	5.5	4-22	42	5	70
DN400	F16	210	165	130	5.5	4-22	42	5	70
DN450	F16	210	165	130	5.5	4-22	42	5	70
DN500	F25	300	254	200	5.5	8-18	48	5	85
DN600	F25	300	254	200	5.5	8-18	48	5	85

# Service Valve

Fig.31772

Internal thread both ends ISO228 ,PN16,



## ■ Technical Data

- Size: DN20-DN50
- Internal Thread Both Ends to ISO228
- Pressure Rating: PN16 -Pressure Testing: ISO 5208
- For Drinking Water and Neutral Liquids to Max.120P -Internal and External Epoxy Coating to DIN30677-2

No.	Component	Material
1	Body	Ductile Iron GGG50
2	Bonnet	Ductile Iron GGG50
4	Stem	SS420/SS304/SS316
9	Wedge	Brass+EPDM
		Brass +NBR
10	O Ring	EPDM/NBR
14	Bonnet Gasket	EPDM/NBR

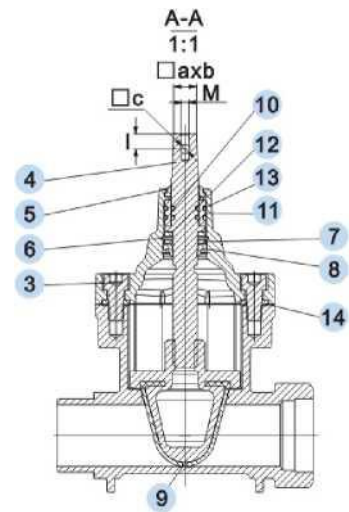
## ■ Dimensions(mm)

Size	L	Out Hexagon S	H	C	I	a*b
DN20	120	44	163	6	10	14.8*17
DN25	120	44	163	6	10	14.8*17
DN32	140	50	171	6	10	14.8*17
DN40	145	60	196	6	10	14.8*17
DN50	160	70	216	6	10	14.8*17

## Service Valve

Fig. 31773

With one Internal thread ISO228 and one external thread EN10226-1

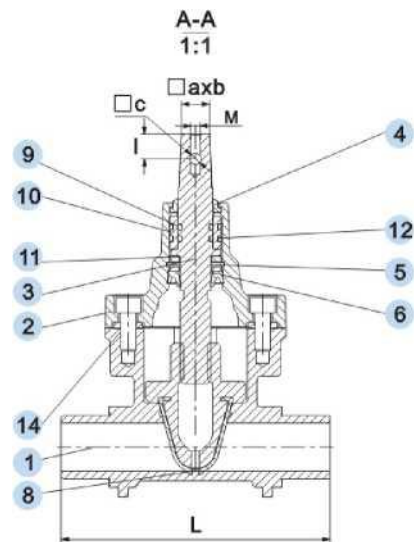


Size	L	C		a*b
DN20	148	6	10	14.8*17
DN25	148	6	10	14.8*17
DN32	167	6	10	14.8*17
DN40	167	6	10	14.8*17
DN50	172	6	10	14.8*17

## Service Valve

Fig. 31775

External thread both ends EN10226-1



Size	L	C	I	a*b
DN20	148	6	10	14.8*17
DN25	148	6	10	14.8*17
DN32	167	6	10	14.8*17
DN40	167	6	10	14.8*17
DN50	172	6	10	14.8*17

TAI WAN ATYCO FLUID CONTROL EQUIPMENT  
INTERNATIONAL COMPANY LIMITED  
Liaoning Yuanlu Machinery Equipment Manufacturing Co., Ltd.  
Address: 55 Gongnong Road, Zhanqian District, Yingkou City,  
Liaoning Province, China  
TEL: +008613332319780  
FAX: +00860417-3535904  
Website: www.atyco.cn  
Email: atycoln@163.com